

SONY

Hi-Fi Products
Service Bulletin

Sony Service Company Technical Services
A Division of Sony Corporation of America
Sony Drive, Park Ridge, New Jersey 07656

Model: TC-K620/K650ES/K670/K677ES/K690/K679ES No. 275R1

Subject: Tape Gets Wrinkled

Date: December 30, 1992

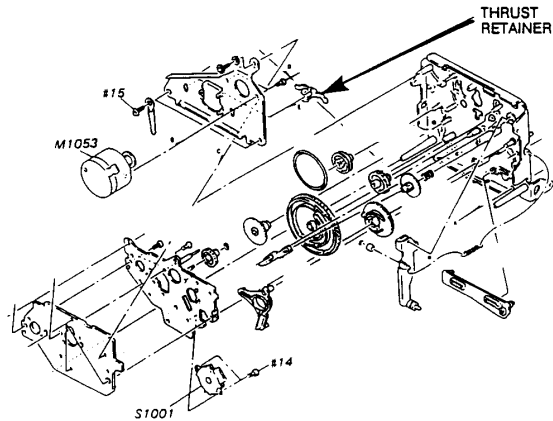
This bulletin supercedes Hi-Fi Service Bulletin No. 275

Symptom:
(65)

The tape gets wrinkled by the capstan and pinch roller. The thrust retainer for the flywheel gets deformed so that the shaft of the capstan easily moves back and forth causing unstable tape path during play.

Solution: Replace the thrust retainer with the new type as shown in the chart below:

| MODEL | REF | DESCRIPTION | PART NUMBER | |
|-----------|-----|------------------|--------------|--------------|
| | | | INCORRECT | CORRECT |
| TC-K620 | 573 | RETAINER, THRUST | 3-575-321-00 | X-3365-071-1 |
| TC-K650ES | 573 | RETAINER, THRUST | 3-575-321-00 | X-3365-071-1 |
| TC-K670 | 182 | RETAINER, THRUST | 3-575-321-00 | X-3365-071-1 |
| TC-K677ES | 182 | RETAINER, THRUST | 3-575-321-00 | X-3365-071-1 |
| TC-K690 | 182 | RETAINER, THRUST | 3-575-321-00 | X-3365-071-1 |
| TC-K679ES | 182 | RETAINER, THRUST | 3-575-321-00 | X-3365-071-1 |



Reference: FPR-N1163



PRINTED IN U.S.A.
CSA-131292-2

CSA-13
Tape Deck